

CPI Electron Device Business - Upconverters



FEATURES/OPTIONS:

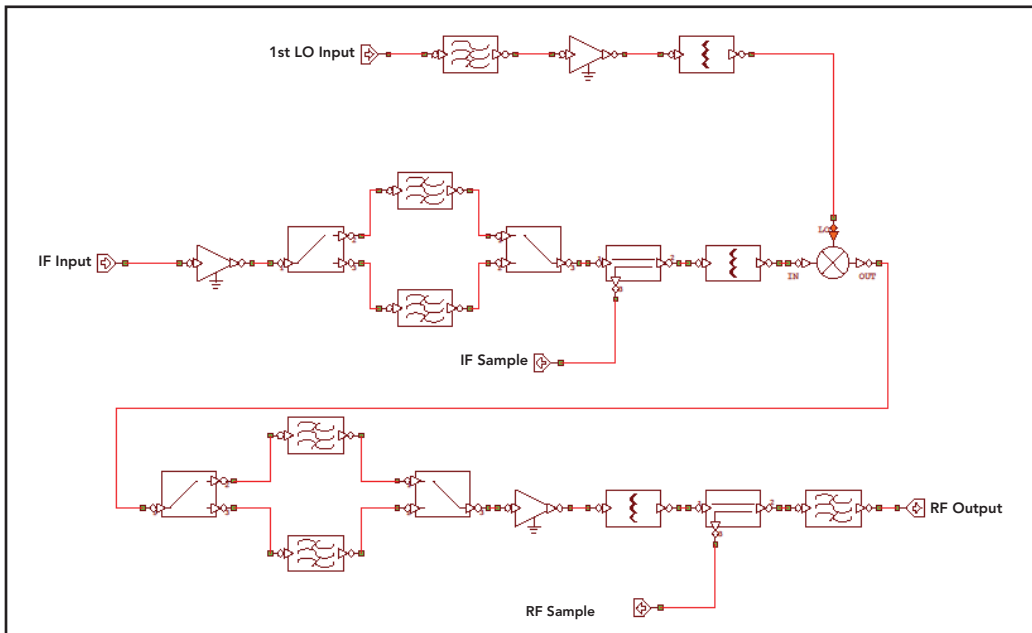
- Single or dual-conversion radar upconverter
- Couplers for test injection and output samples
- Switched IF and RF filters
- Auxiliary outputs for built-in-test

PERFORMANCE CHARACTERISTICS:

- High spurious rejection greater than 80 dBc (see Spectral Mask plot)
- Adjustable filter bandwidth: 20 MHz – 1 GHz
- Gain control greater than 40 dB
- RF gating greater than 70 dB

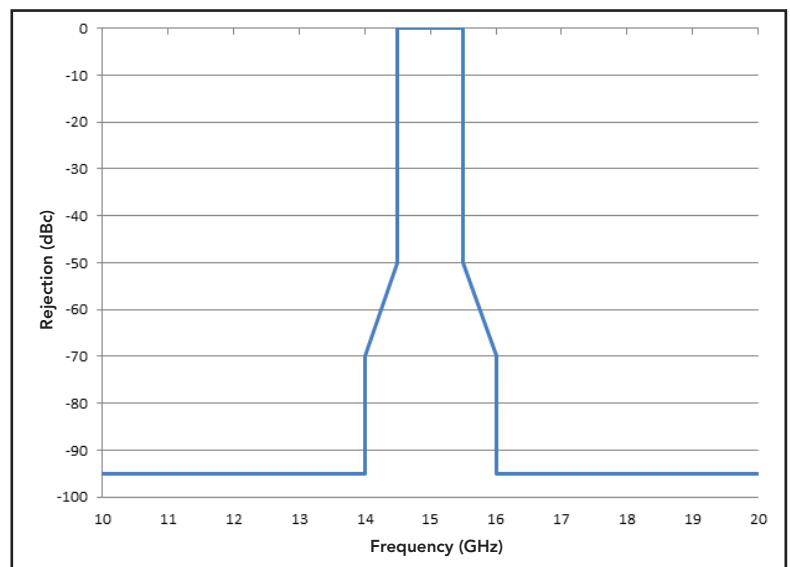
CPI Electron Device Business - Upconverters

We have the ability to integrate your upconverter into a larger assembly.



Typical upconverter block diagram

Upconverter spectral mask



Ask us about designing a complete subsystem for you today.



**Beverly Microwave
Division**
150 Sohier Road
Beverly, Massachusetts
USA 01915

tel +1 978-922-6000
email ElectronDevices@cpiedb.com
fax +1 978-922-8914
web www.cpiedb.com

For more detailed information, please refer to the corresponding CPI EDB technical description if one has been published, or contact CPI EDB. Specifications may change without notice as a result of additional data or product refinement. Please contact CPI EDB before using this information for system design.

©2025 CPI Electron Device Business. Company proprietary: use and reproduction is strictly prohibited without written authorization from CPI EDB.